



Key Features

- Support GPS L1/L2, GLONASS L1/L2 and BDS B1/B2/B3 frequencies
- Multi-path rejection board inside can eliminate the multi-path influence to measurement error
- Adopt multi feed design to ensure the superposition of phase center and geometrical center, and minimize the influence to measurement error
- Water & dust-proof design ensures absolute seal of kernel parts, capable for long time outdoor operation
- Very low noise figure
- Lightning proof circuit inside can protect the LNA from being damaged by surge immunity

Mini Survey Antenna GPS500

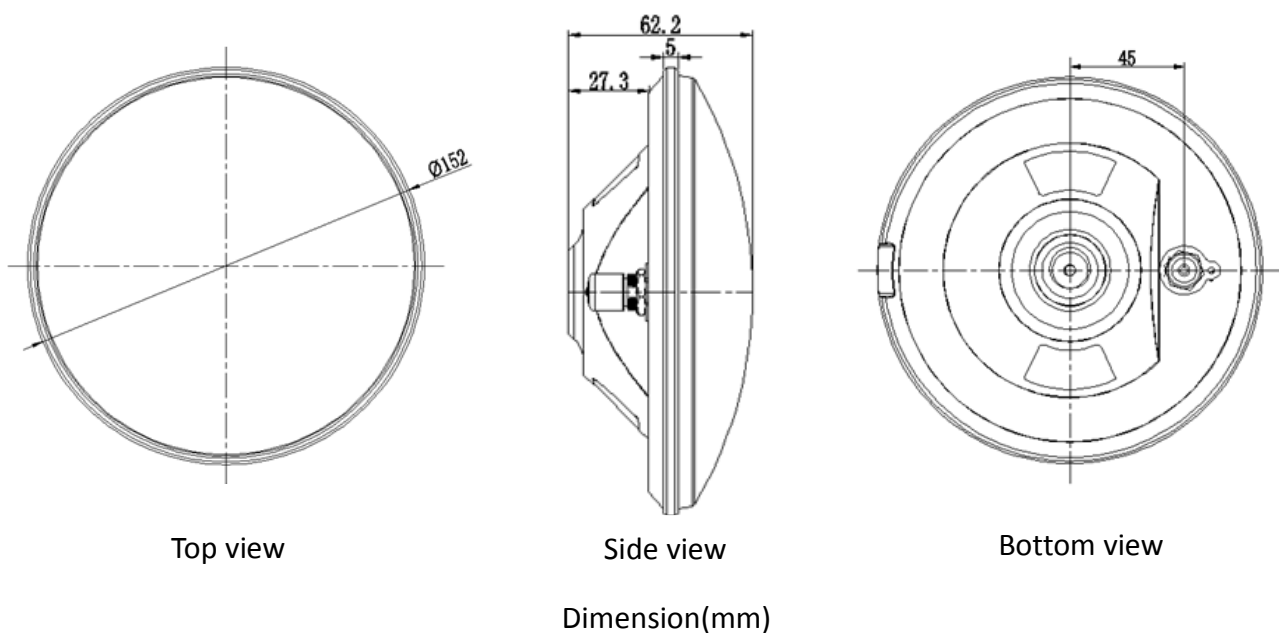
GPS500 receives GPS L1/L2, GLONASS L1/L2 and BDS B1/B2/B3 frequencies, which can be used in land survey, marine survey, channel survey, seismic monitoring, bridge survey, container operation, agriculture applications. It is especially designed for precision triple frequency positioning. Customers can use the same antenna for GPS only or dual or triple constellation applications.

It has high gain and wide beam width to ensure the signal receiving performance of satellite at low elevation angle. The phase center of this antenna remains constant as the azimuth and elevation angle of the satellites change. Signal reception is unaffected by the rotation of the antenna or satellite elevation, so placement and installation of the antenna can be completed with ease.

Technical Specifications

Antenna Specification	
Frequency Range	GPS L1/L2 GLONASS L1/L2 BDS B1/B2/B3
Impedance	50ohm
Polarization	RHCP
Axial Ratio	≤3dB
Azimuth Coverage	360°
Output VSWR	≤2.0
Peak Gain	5.5dBi
Phase Center Error	±2mm
LNA Specification	
LNA Gain	40 ± 2dB
Noise Figure	≤2.0dB

Output VSWR	≤2.0
Operation Voltage	3.3~12VDC
Operation Current	≤45mA
Group Delay	≤5ns
Mechanical Specification	
Dimension	φ 152*62.2mm
Connector	TNC Female
Weight	374g
Environment Specification	
Storage Temp	-55°C ~ +85°C
Operating Temp	-45°C ~ +85°C
Humidity	95% No-condensing



Harxon Corporation

www.harxon.com
 sales@harxon.com
 Tel: +86 0755-26989948 Fax: +86 0755-26989994



HARXON AUTHORIZED DISTRIBUTION PARTNER